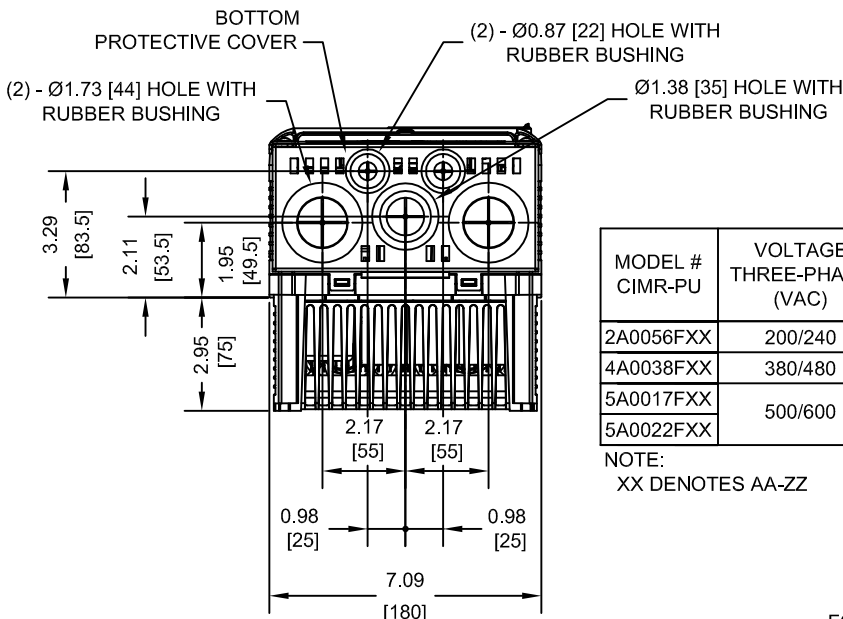
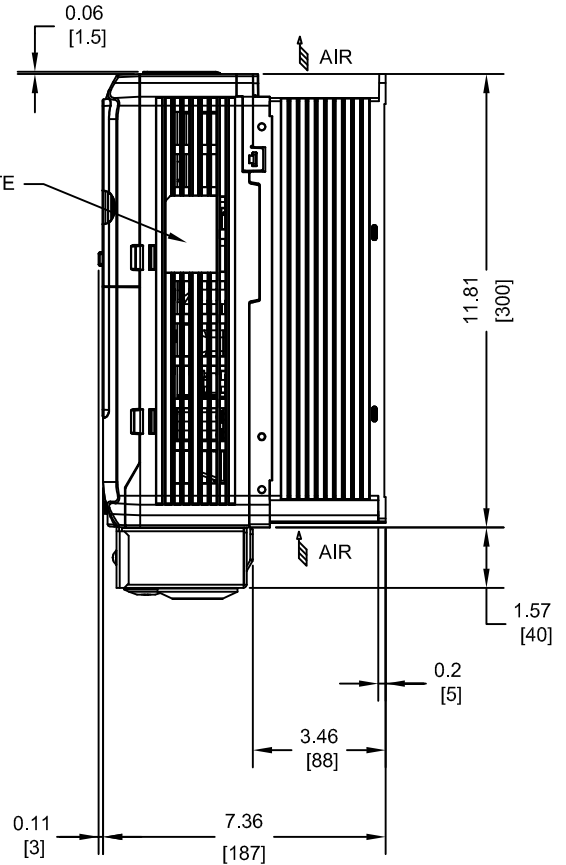
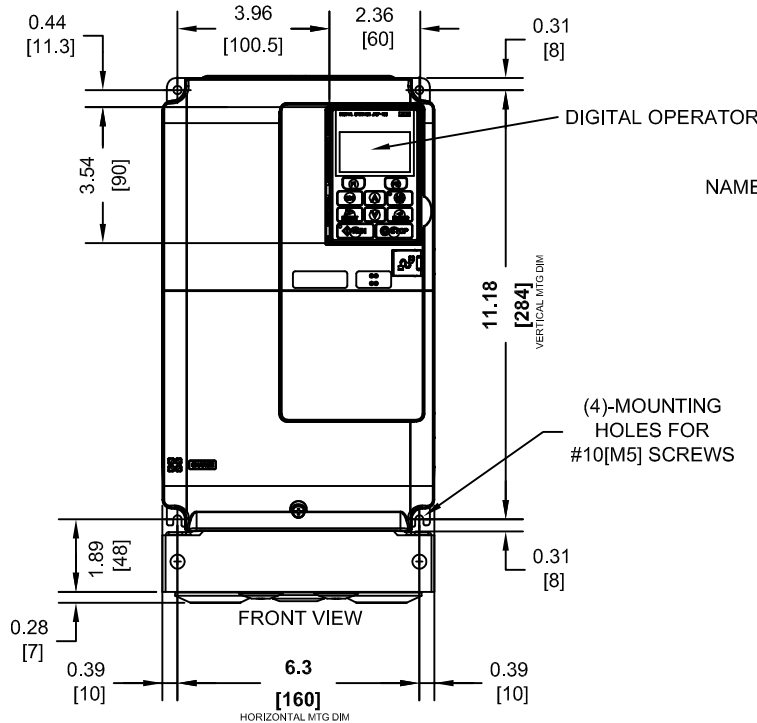


(2) EXTERNAL COOLING FANS

TOP PROTECTIVE COVER

NOTE:
 PROTECTIVE COVERS ARE FACTORY INSTALLED TO THE TOP AND BOTTOM OF THE DRIVE TO MEET IP20 & NEMA TYPE 1 REQUIREMENTS, RESULTING IN AN AMBIENT TEMPERATURE RATING OF 104F(40C). REMOVE THESE COVERS WHEN OPERATING THE DRIVE WITHIN A PANEL TO OBTAIN THE MAXIMUM SURROUNDING AIR TEMPERATURE RATING OF 122F(50C). REMOVING THESE COVERS RESULTS IN AN ENCLOSURE RATING OF IP00.



MODEL # CIMR-PU	VOLTAGE THREE-PHASE (VAC)	OUTPUT CURRENT (A)	WEIGHT LBS (Kg)	HEAT LOSS (W) (Fc=2kHz)		
				INT	EXT	TOT
2A0056FXX	200/240	56.0	13.0 (5.9)	175.4	370.7	546.2
4A0038FXX	380/480	38.0	13.2 (6.0)	181.6	339.6	521.2
5A0017FXX	500/600	17.0	13.2 (6.0)	146.7	96.6	243.2
5A0022FXX		22.0	13.2 (6.0)	178.3	99.4	277.7

NOTE:
 XX DENOTES AA-ZZ

INT=INTERNAL COMPONENTS
 EXT=EXTERNAL HEATSINK
 TOT=TOTAL

FOR ADDITIONAL DETAILS AND SPECIFICATIONS, CONSULT MANUAL

TOLERANCES / REFERENCES:

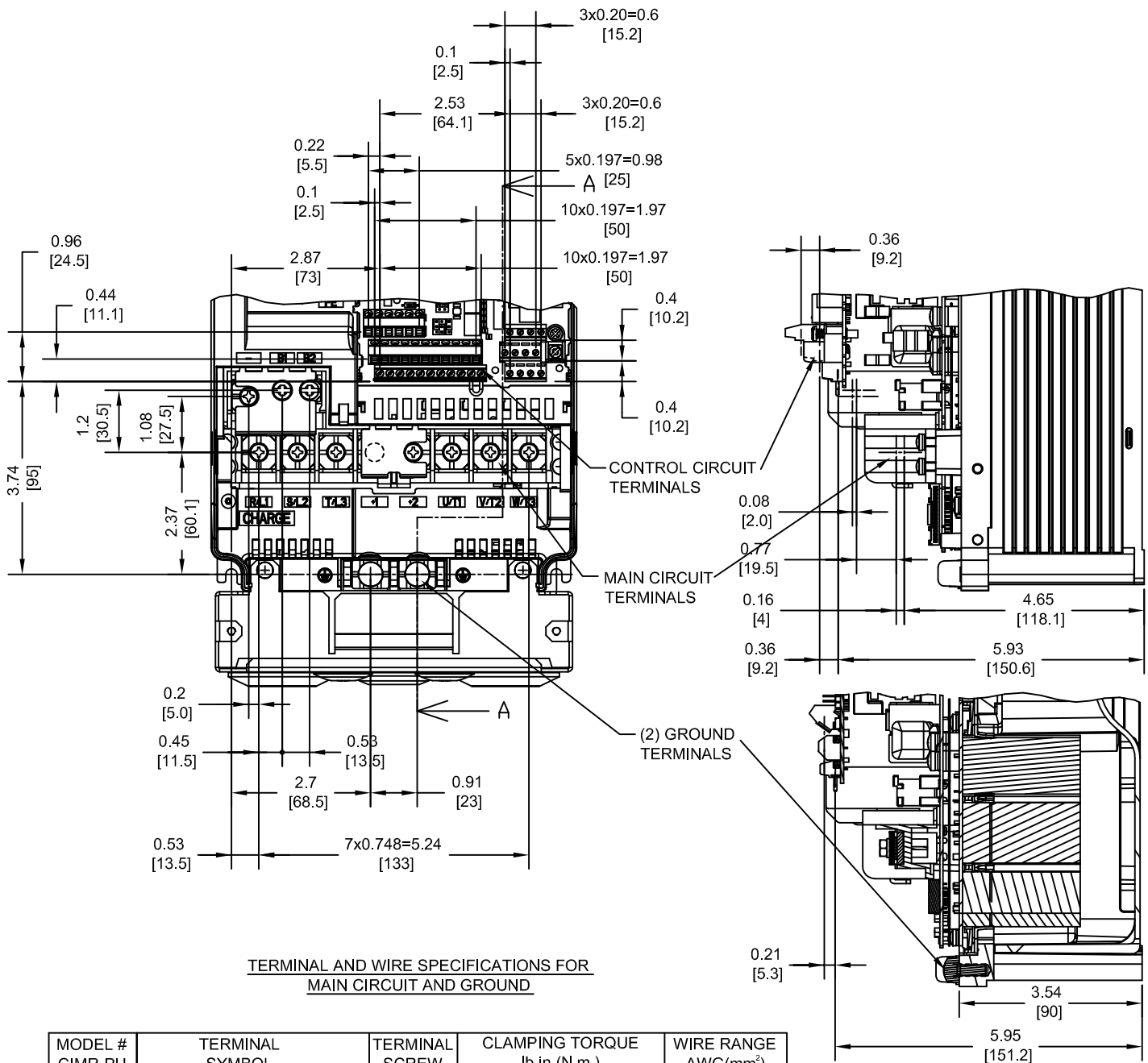


THIS DOCUMENT AND INFORMATION CONTAINED IN IT ARE CONFIDENTIAL, AND CANNOT BE COPIED OR DISCLOSED IN WHOLE OR IN PART WITHOUT THE EXPRESS WRITTEN CONSENT OF YASKAWA AMERICA, INC.

DRAWN: J. MATTAS	DATE 12-9-11	TITLE: P1000 DIMENSION DRAWING
CHECKED: J. PIOTROWSKI	DATE 1-5-12	FRAME SIZE 5
TECH: J. BORJA	DATE 1-9-12	NEMA TYPE 1 ENCLOSURE
APPROVED: J. CAIRO	DATE 1-10-12	2A0056, 4A0038, 5A0017, 5A0022
ORIGINAL DESIGN: -	DATE -	SIZE: A REVISION: R00 PAGE: 1 of 3
		DRAWING #: DD.P1K.FR5.N1

UNITS: IN [mm] SCALE: 1:5

TERMINAL AND WIRING DETAILS (SCALE 1:3)



TERMINAL AND WIRE SPECIFICATIONS FOR MAIN CIRCUIT AND GROUND

MODEL # CIMR-PU	TERMINAL SYMBOL	TERMINAL SCREW	CLAMPING TORQUE lb.in.(N.m.)	WIRE RANGE AWG(mm ²)
2A0056	R/L1, S/L2, T/L3, U/T1, V/T2, W/T3, ⊖, ⊕1, ⊕2,	M6	35.4 TO 53.1 (4 TO 6)	6-4 (16-25)
	B1, B2	M5	17.7 TO 22.1 (2 TO 2.5)	10-6 (6.0-16)
	⊕	M6	35.4 TO 53.1 (4 TO 6)	8-6 (10-16)
4A0038 5A0017 5A0022	R/L1, S/L2, T/L3, U/T1, V/T2, W/T3,	M5	17.7 TO 22.1 (2 TO 2.5)	8-6 (10-16)
	⊖, ⊕1, ⊕2,			6 (16)
	B1, B2	M6	35.4 TO 53.1 (4 TO 6)	10-8 (6.0-10)
	⊕			10-6 (6.0-16)

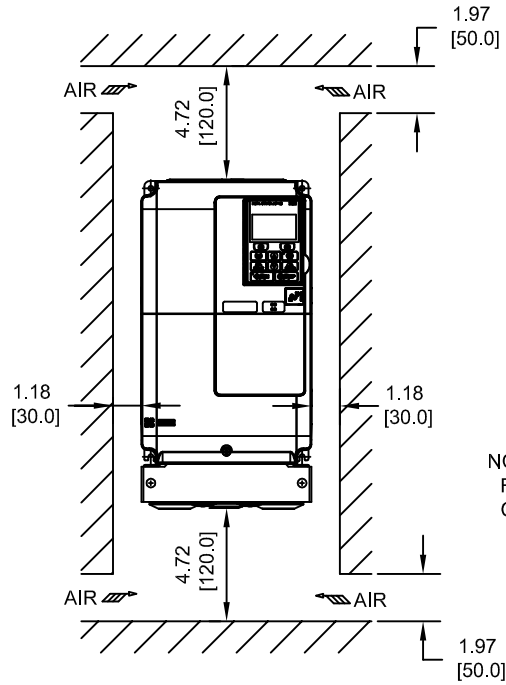
NOTE: REFER TO APPLICABLE CODES FOR PROPER WIRE TYPE AND SIZE

SECTION A-A

FOR ADDITIONAL DETAILS AND SPECIFICATIONS, CONSULT MANUAL

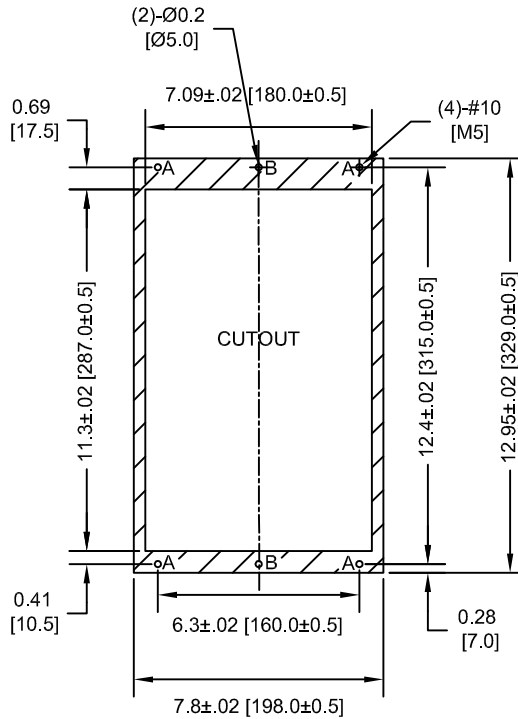
TOLERANCES / REFERENCES: YASKAWA THIS DOCUMENT AND INFORMATION CONTAINED IN IT ARE CONFIDENTIAL, AND CANNOT BE COPIED OR DISCLOSED IN WHOLE OR IN PART WITHOUT THE EXPRESS WRITTEN CONSENT OF YASKAWA AMERICA, INC.	DRAWN: J. MATTAS	DATE: 12-9-11	TITLE: P1000 DIMENSION DRAWING FRAME SIZE 5 NEMA TYPE 1 ENCLOSURE 2A0056, 4A0038, 5A0017, 5A0022		
	CHECKED: J. PIOTROWSKI	DATE: 1-5-12	TECH: J. BORJA	DATE: 1-9-12	
	APPROVED: J. CAIRO	DATE: 1-10-12	ORIGINAL DESIGN: -	DATE: -	
	UNITS: IN [mm]	SCALE: BY VIEW	DRAWING #: DD.P1K.FR5.N1	SIZE: A	REVISION: R00

MINIMUM INSTALLATION CLEARANCES (SCALE 1:8)



NOTE:
FOR SIDE-BY-SIDE MOUNTING
CONSULT MANUAL

PANEL CUTOUT FOR EXTERNAL HEATSINK
MOUNTING CONFIGURATION (SCALE 1:6)



NOTES:

1. EXTERNAL HEATSINK CONFIGURATION REQUIRES MOUNTING KIT
2. EXPOSED HEATSINK RECOMMENDED CLEARANCE D=3.15" MINUS PANEL THICKNESS

FOR ADDITIONAL DETAILS AND SPECIFICATIONS, CONSULT MANUAL

TOLERANCES / REFERENCES:			DRAWN: J. MATTAS 12-9-11	DATE: 12-9-11	TITLE: P1000 DIMENSION DRAWING FRAME SIZE 5 NEMA TYPE 1 ENCLOSURE 2A0056, 4A0038, 5A0017, 5A0022		
			CHECKED: J. PIOTROWSKI 1-5-12	DATE: 1-5-12			
		TECH: J. BORJA 1-9-12	DATE: 1-9-12				
		APPROVED: J. CAIRO 1-10-12	DATE: 1-10-12				
		ORIGINAL DESIGN: -	DATE: -				
UNITS: IN [mm]	SCALE: BY VIEW			DRAWING #: DD.P1K.FR5.N1	SIZE: A	REVISION: R00	PAGE: 3 of 3